

REVISIONS					
REV	DESCRIPTION	ECR	DRN BY	DATE	CHK
-	INITIAL RELEASE	XXX	JMR	12/2/24	XXX

**NOTES:**

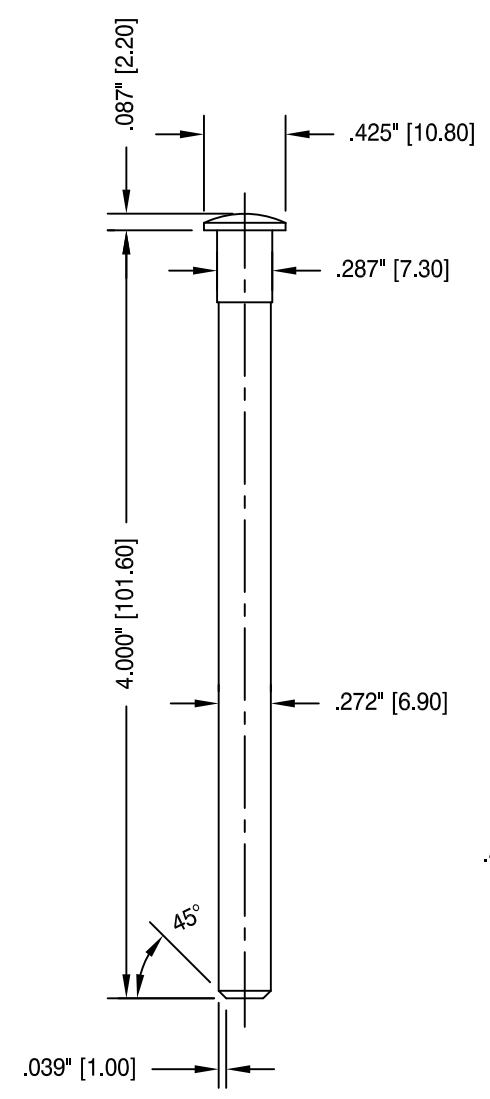
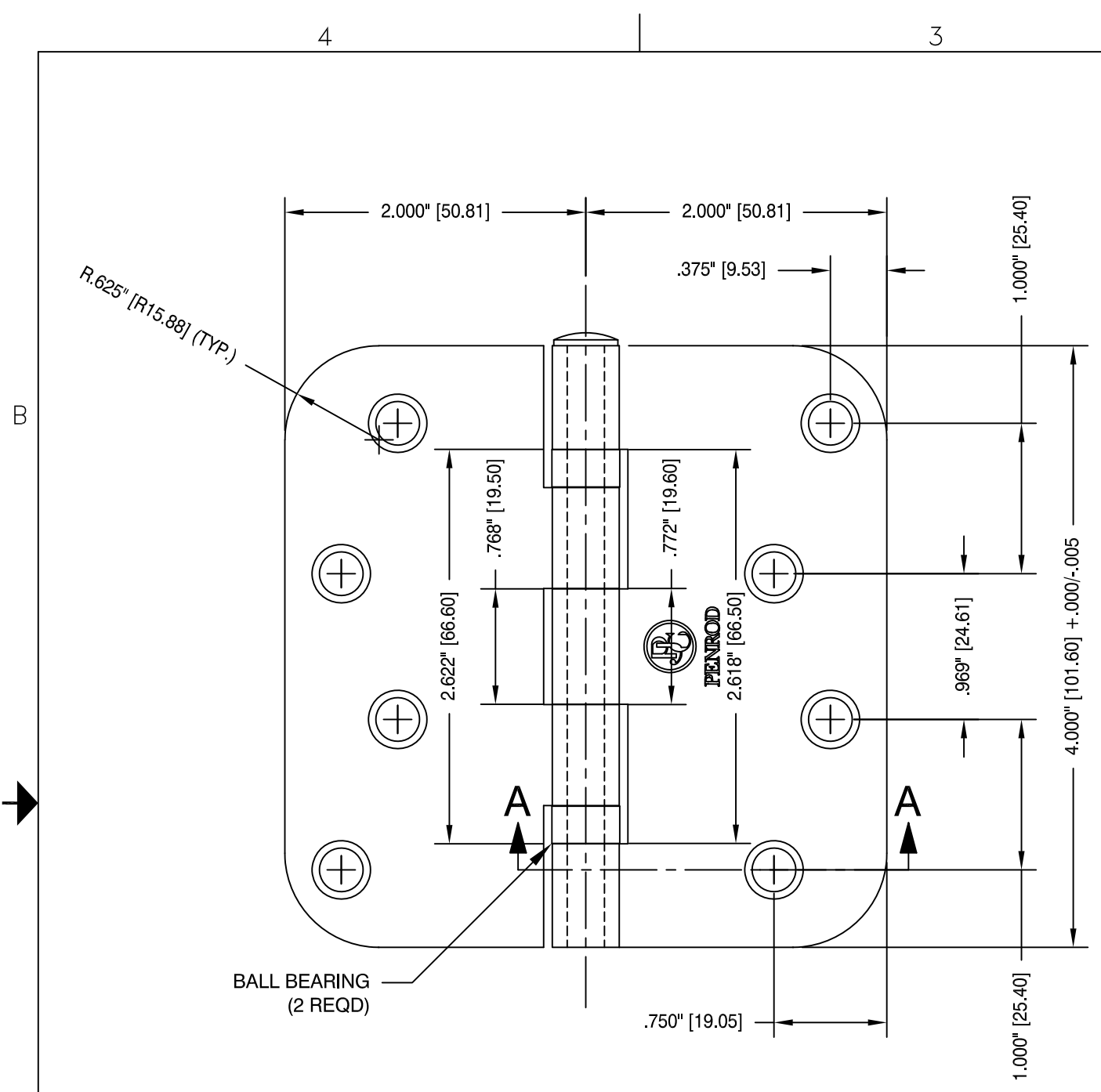
- HINGE COMPLIES WITH ANSI/BHMA A156.1.
- DIMENSION TOLERANCES ARE NOT ACCUMULATIVE.
- BRACKETED DIMENSIONS ARE IN MILLIMETERS.
- COUNTERSUNK FOR #9 SCREWS.

**PACKAGING AVAILABLE:**

SCREWS INCLUDED

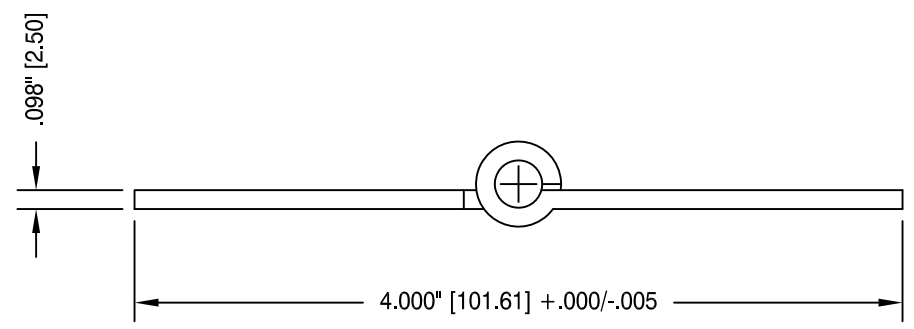
**ASSEMBLY:**

ASSEMBLED

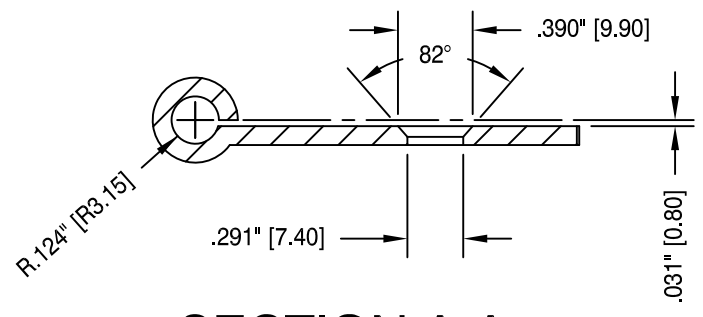


**PIN (7mm)**

**BEARING**



**TOP VIEW - ASSEMBLED**



**SECTION A-A**

TOLERANCES UNLESS OTHERWISE SPECIFIED

DECIMAL  
.XX = +/- .03  
.XXX = +/- .005  
FRACTION  
+/- 1/64  
ANGLE  
+/- 1°

**PENROD**  
thepenrodcompany.com

DRW: J. ROONEY  
CHK: YONG ZOU  
APV: BRIAN POWERS

NOTICE  
THE USE OF PROPRIETARY INFORMATION CONTAINED HEREON OR REPRODUCTION OF SAME SHALL BE UNDERSTOOD AND AGREED TO BE FOR THE CONVENIENCE OF REFERENCE ONLY. IT SHALL BE FURTHER AGREED THAT THE PATENT RIGHTS AND/OR IMPROVEMENTS CANNOT BE CONSTRUED AS TRANSFERRED OR CONVEYED UNLESS AGREED TO IN WRITING BY A DULY AUTHORIZED OFFICER OF THE PENROD COMPANY.

TITLE: <b>4.0" x 4.0"</b> <b>5/8" RADIUS BALL BEARING</b> <b>MASONITE HOLE PREP</b>			
SIZE <b>B</b>	INDEX NO. 1	DWG NO. <b>4040010</b>	REV -
SCALE: FULL	DATE: 12/2/24	SHEET 1 OF 1	