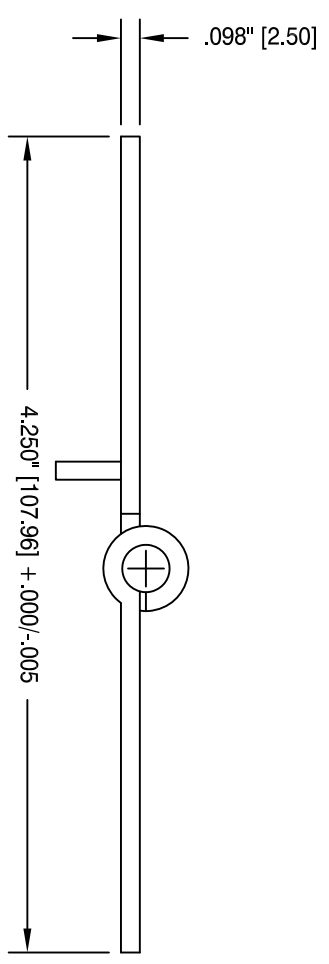
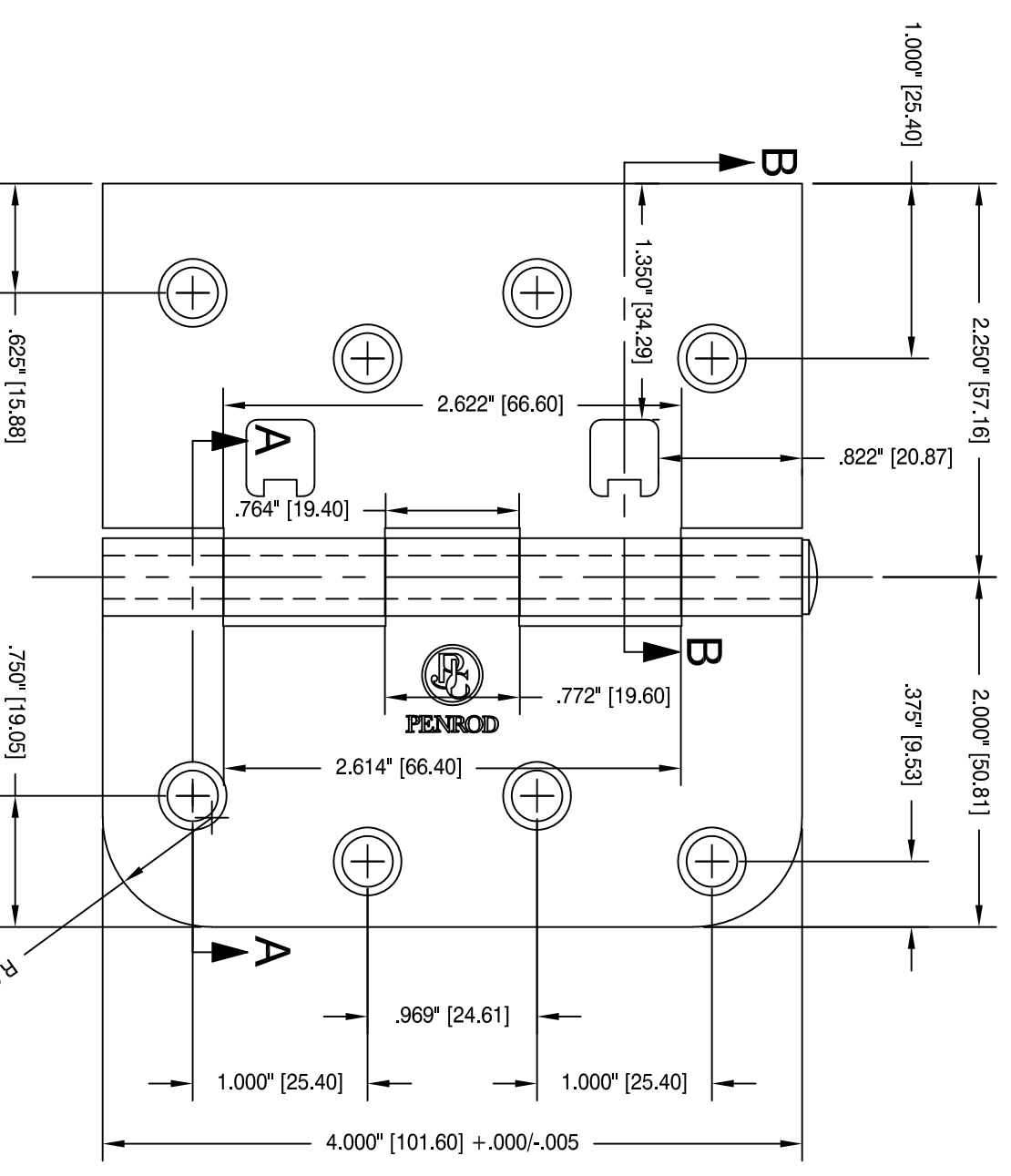


REVISIONS					
REV	DESCRIPTION	ECR	DRN BY	DATE	CHK
-	INITIAL RELEASE	XXX	JMR	1/10/25	XXX

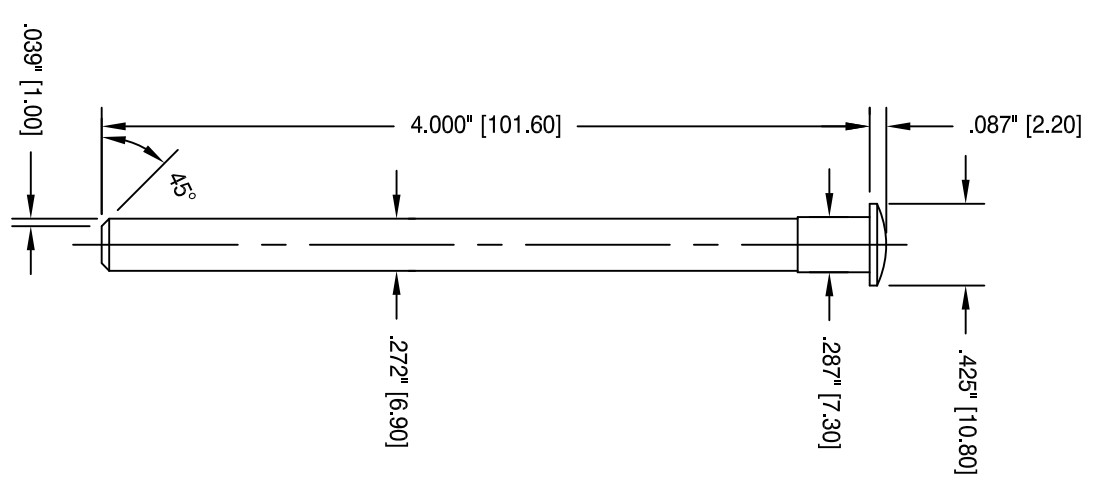
- NOTES:**
- HINGE COMPLIES WITH ANSI/BHMA A156.1.
 - DIMENSION TOLERANCES ARE NOT ACCUMULATIVE.
 - BRACKETED DIMENSIONS ARE IN MILLIMETERS.
 - COUNTERSUNK FOR #9 SCREWS.

PACKAGING AVAILABLE:
 BULK, 100 PER MASTER. SCREWS PACKAGED SEPARATELY
 BOXED, 2 PIECES PER INNER W/ (12) #9 x 3/4" SCREWS, 50 INNERS PER MASTER

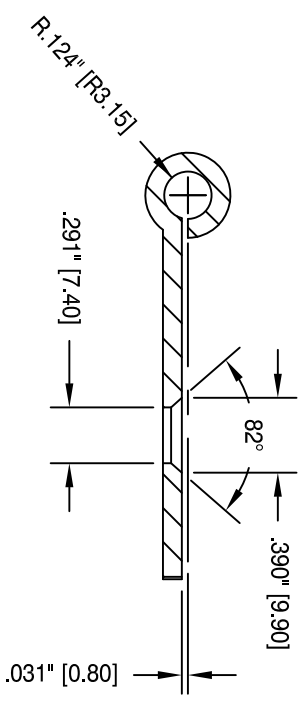
ASSEMBLY:
 ASSEMBLED



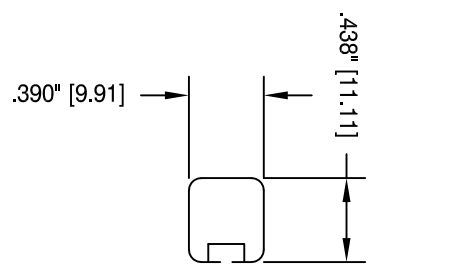
TOP VIEW - ASSEMBLED




PIN (7mm)



SECTION A-A



SECTION B-B

		THE USE OF PROPRIETARY INFORMATION CONTAINED HEREON OR REPRODUCTION OF SAME SHALL BE UNDERSTOOD AND AGREED TO BE FOR THE CONVENIENCE OF REFERENCE ONLY. IT SHALL BE FURTHER AGREED THAT THE PATENT RIGHTS AND/OR IMPROVEMENTS CANNOT BE CONSTRUED AS TRANSFERRED OR CONVENED UNLESS AGREED TO IN WRITING BY A DULY AUTHORIZED OFFICER OF THE PENROD COMPANY.	
PENROD thepenrodcompany.com		NOTICE	
DRW:	J. ROONEY	TITLE: 4.0" X 4.25" 5/8" RADIUS X SQUARE CORNER ASSEMBLED W LOCATOR TABS LEFT HANDED MASONITE HOLE PREP	
CHK:	YONG ZOU	SIZE	B
APV:	BRIAN POWERS	INDEX NO.	1
		DWG NO.	4040022
		SCALE:	FULL
		DATE:	1/10/25
		SHEET	1 OF 1