

REVISIONS					
REV	DESCRIPTION	ECR	DRN BY	DATE	CHK
-	INITIAL RELEASE	XXX	JMR	12/9/24	XXX

NOTES:

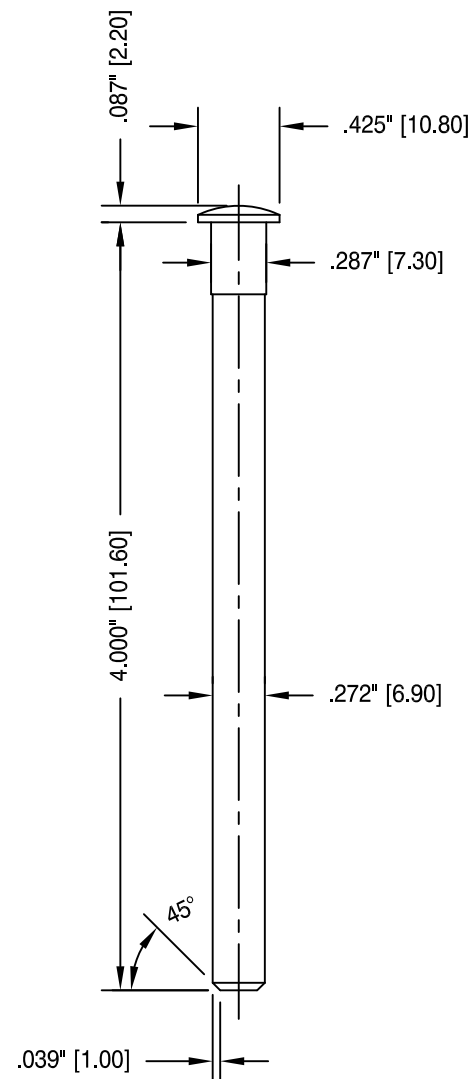
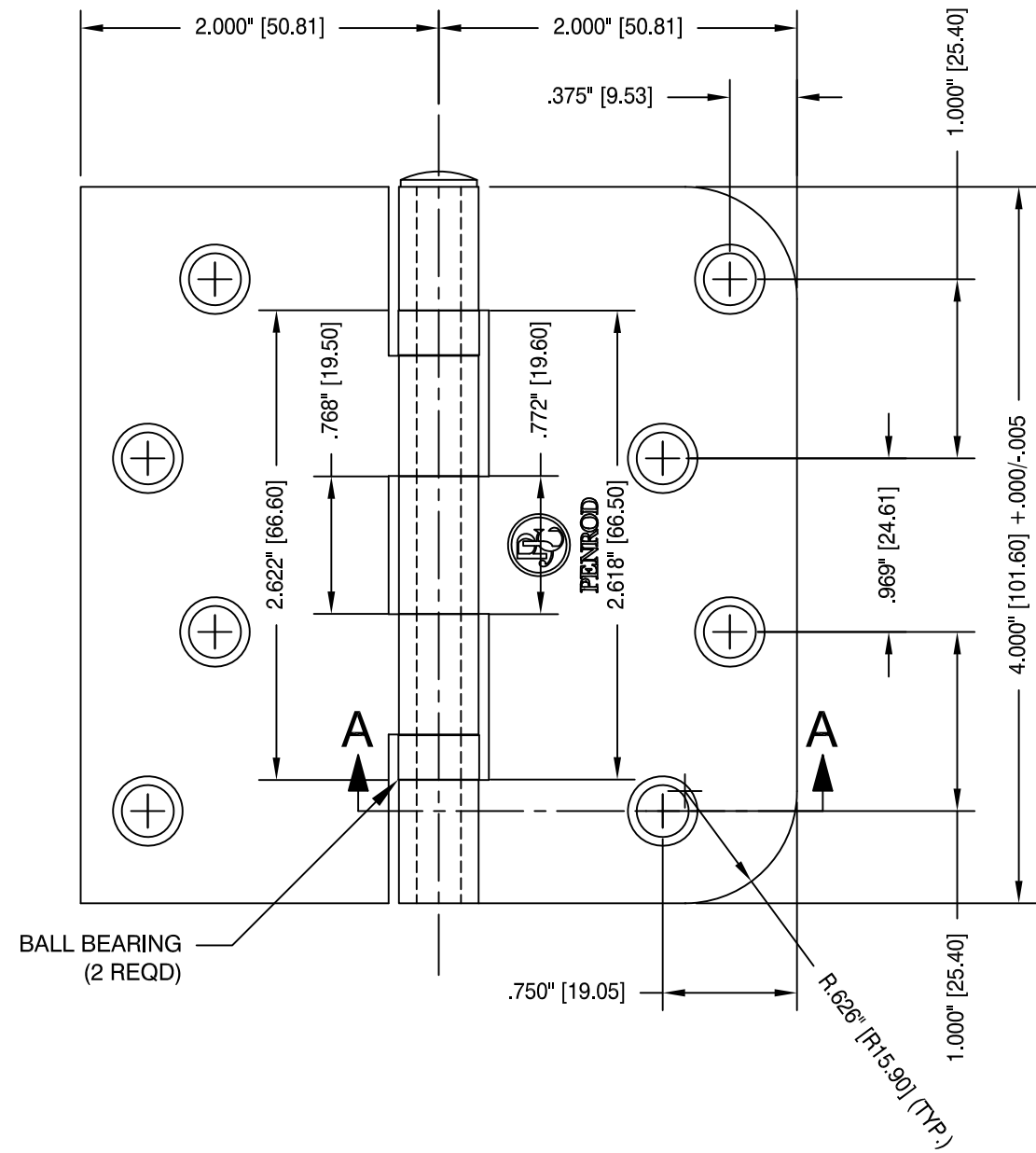
- HINGE COMPLIES WITH ANSI/BHMA A156.1.
- DIMENSION TOLERANCES ARE NOT ACCUMULATIVE.
- BRACKETED DIMENSIONS ARE IN MILLIMETERS.
- COUNTERSUNK FOR #9 SCREWS.

PACKAGING AVAILABLE:

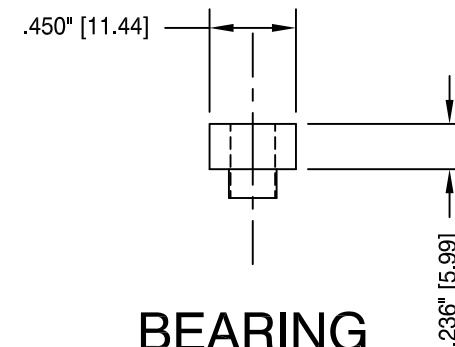
SCREWS INCLUDED

ASSEMBLY:

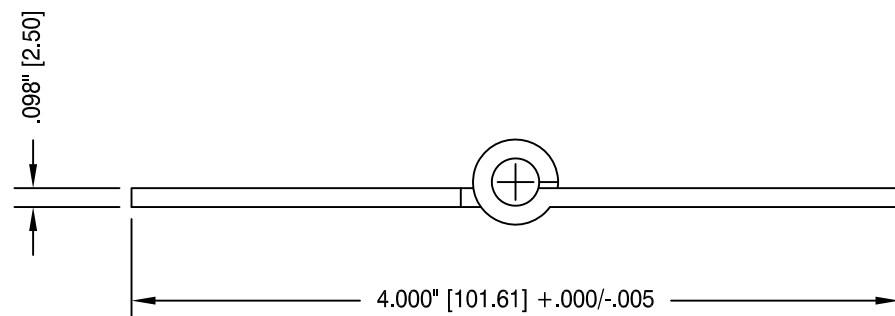
ASSEMBLED



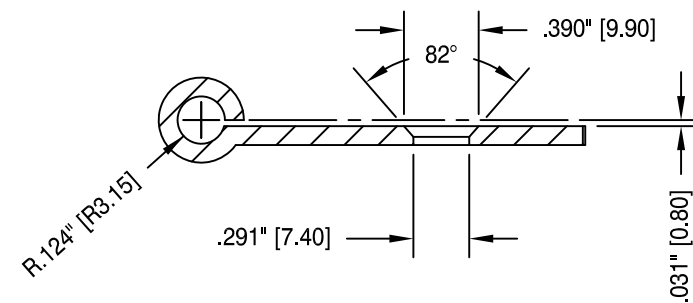
PIN (7mm)



BEARING



TOP VIEW - ASSEMBLED



SECTION A-A

PENROD
thepenrodcompany.com

DRW:	J. ROONEY
CHK:	YONG ZOU
APV:	BRIAN POWERS

NOTICE

THE USE OF PROPRIETARY INFORMATION CONTAINED HEREON OR REPRODUCTION OF SAME SHALL BE UNDERSTOOD AND AGREED TO BE FOR THE CONVENIENCE OF REFERENCE ONLY. IT SHALL BE FURTHER AGREED THAT THE PATENT RIGHTS AND/OR IMPROVEMENTS CANNOT BE CONSTRUED AS TRANSFERRED OR CONVEYED UNLESS AGREED TO IN WRITING BY A DULY AUTHORIZED OFFICER OF THE PENROD COMPANY.

TOLERANCES UNLESS OTHERWISE SPECIFIED	TITLE: 4.0" x 4.0" 5/8" RADIUS x SQUARE CORNER ASSEMBLED BALL BEARING L.H. MASONITE HOLE PREP		
DECIMAL .XX = +/- .03 .XXX = +/- .005	SIZE INDEX NO.	DWG NO.	REV
FRACTION +/- 1/64	B	4040018	-
ANGLE +/- 1°	SCALE: FULL	DATE: 12/9/24	SHEET 1 OF 1