

REVISIONS					
REV	DESCRIPTION	ECR	DRN BY	DATE	CHK
-	INITIAL RELEASE	XXX	JMR	12/9/24	XXX

NOTES:

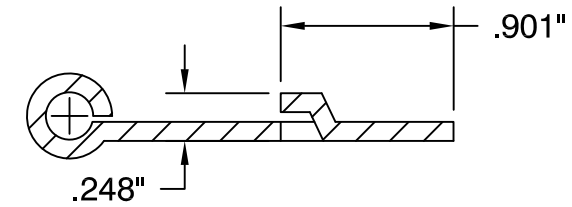
- HINGE COMPLIES WITH ANSI/BHMA A156.1.
- DIMENSION TOLERANCES ARE NOT ACCUMULATIVE.
- BRACKETED DIMENSIONS ARE IN MILLIMETERS.
- COUNTERSUNK FOR #9 SCREWS.

PACKAGING AVAILABLE:

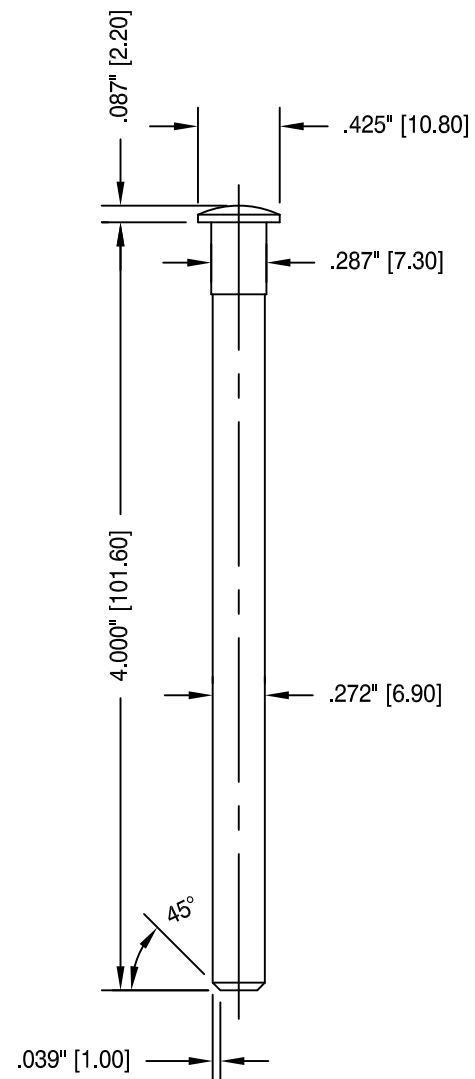
BULK, 100 PER MASTER. SCREWS PACKAGED SEPARATELY
 BOXED, 2 PIECES PER INNER W/ (12) #9 x 3/4" SCREWS, 50 INNERS PER MASTER

ASSEMBLY:

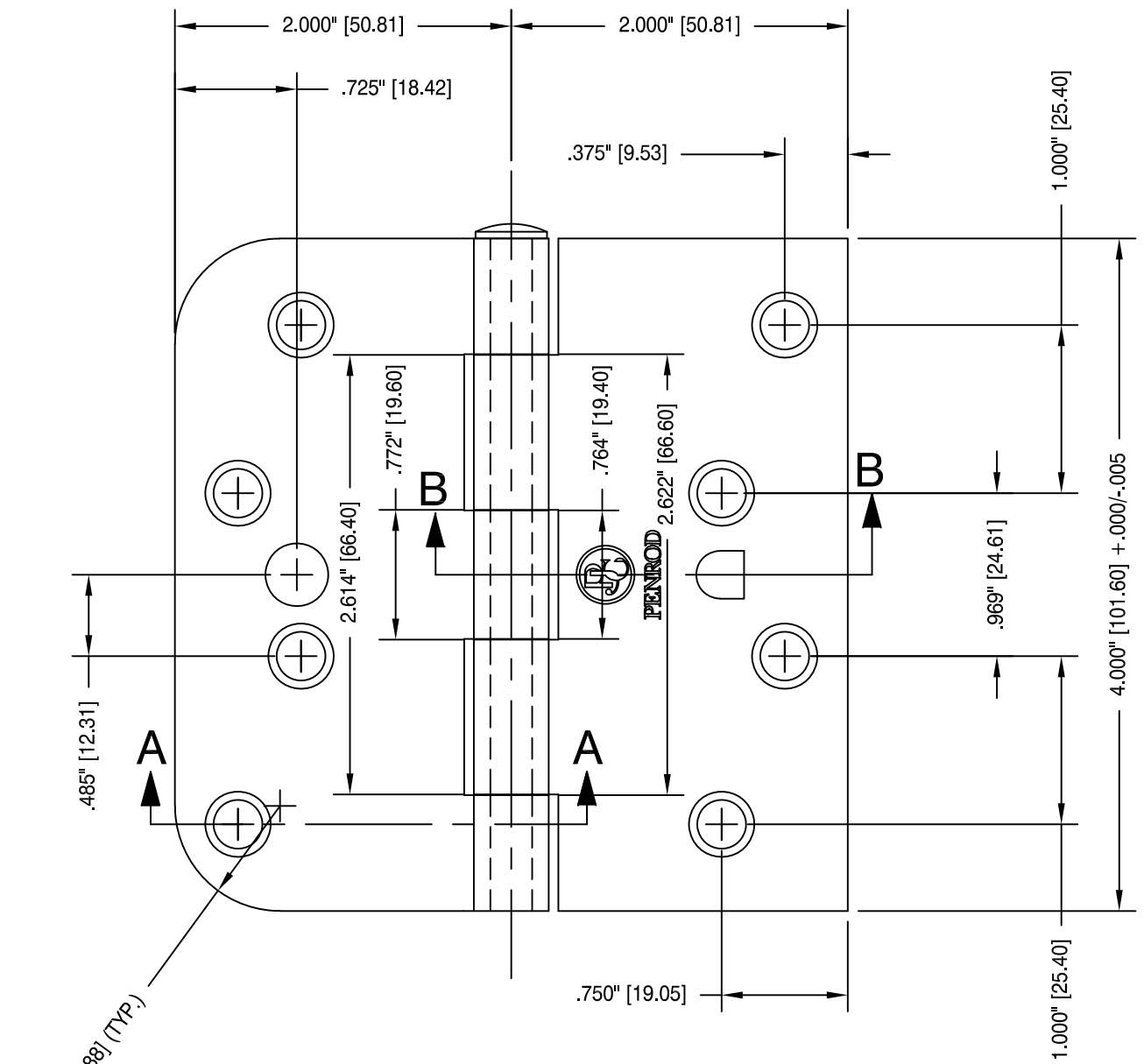
ASSEMBLED



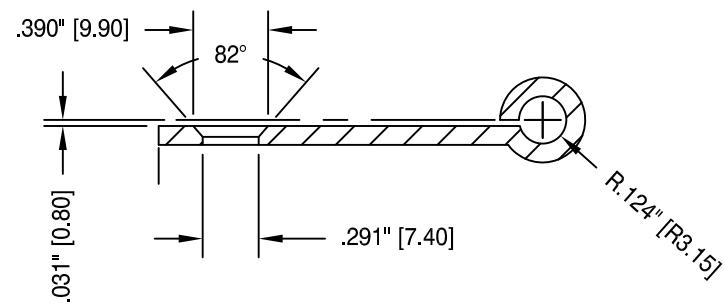
SECTION B-B




PIN (7mm)



TOP VIEW - ASSEMBLED



SECTION A-A

 PENROD thepenrodcompany.com	DRW:	J. ROONEY
	CHK:	YONG ZOU
	APV:	BRIAN POWERS
	NOTICE THE USE OF PROPRIETARY INFORMATION CONTAINED HEREON OR REPRODUCTION OF SAME SHALL BE UNDERSTOOD AND AGREED TO BE FOR THE CONVENIENCE OF REFERENCE ONLY. IT SHALL BE FURTHER AGREED THAT THE PATENT RIGHTS AND/OR IMPROVEMENTS CANNOT BE CONSTRUED AS TRANSFERRED OR CONVEYED UNLESS AGREED TO IN WRITING BY A DULY AUTHORIZED OFFICER OF THE PENROD COMPANY.	

TOLERANCES UNLESS OTHERWISE SPECIFIED	DECIMAL .XX = +/- .03 .XXX = +/- .005 FRACTION +/- 1/64 ANGLE +/- 1°		
TITLE: 4.0" x 4.0" 5/8" R. x SQ. CORNER ASSEMBLED R.H. SAFETY STUD MASONITE HOLE PREP			
SIZE	INDEX NO.	DWG NO.	REV
B		4040017	-
SCALE: FULL	DATE: 12/9/24	SHEET 1 OF 1	