

4

3

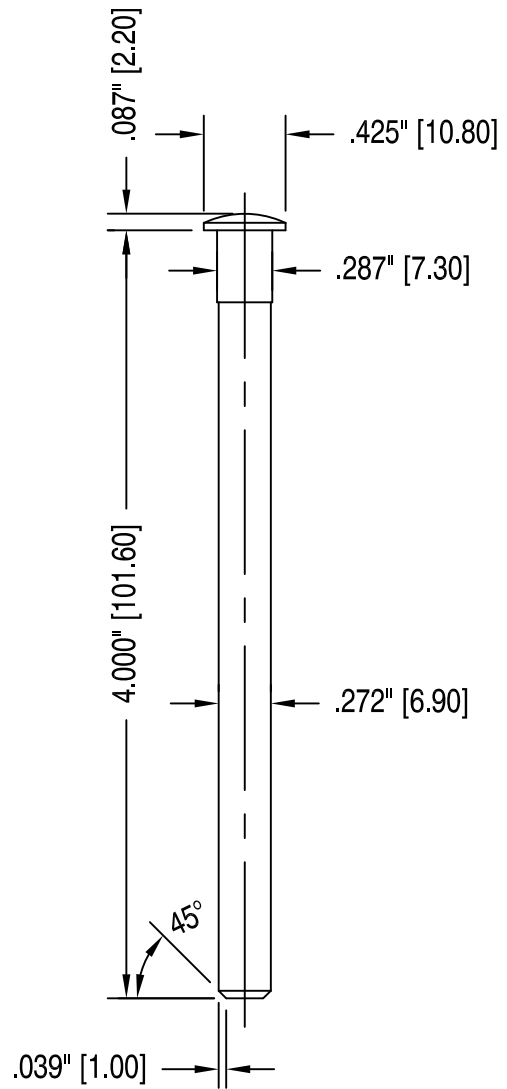
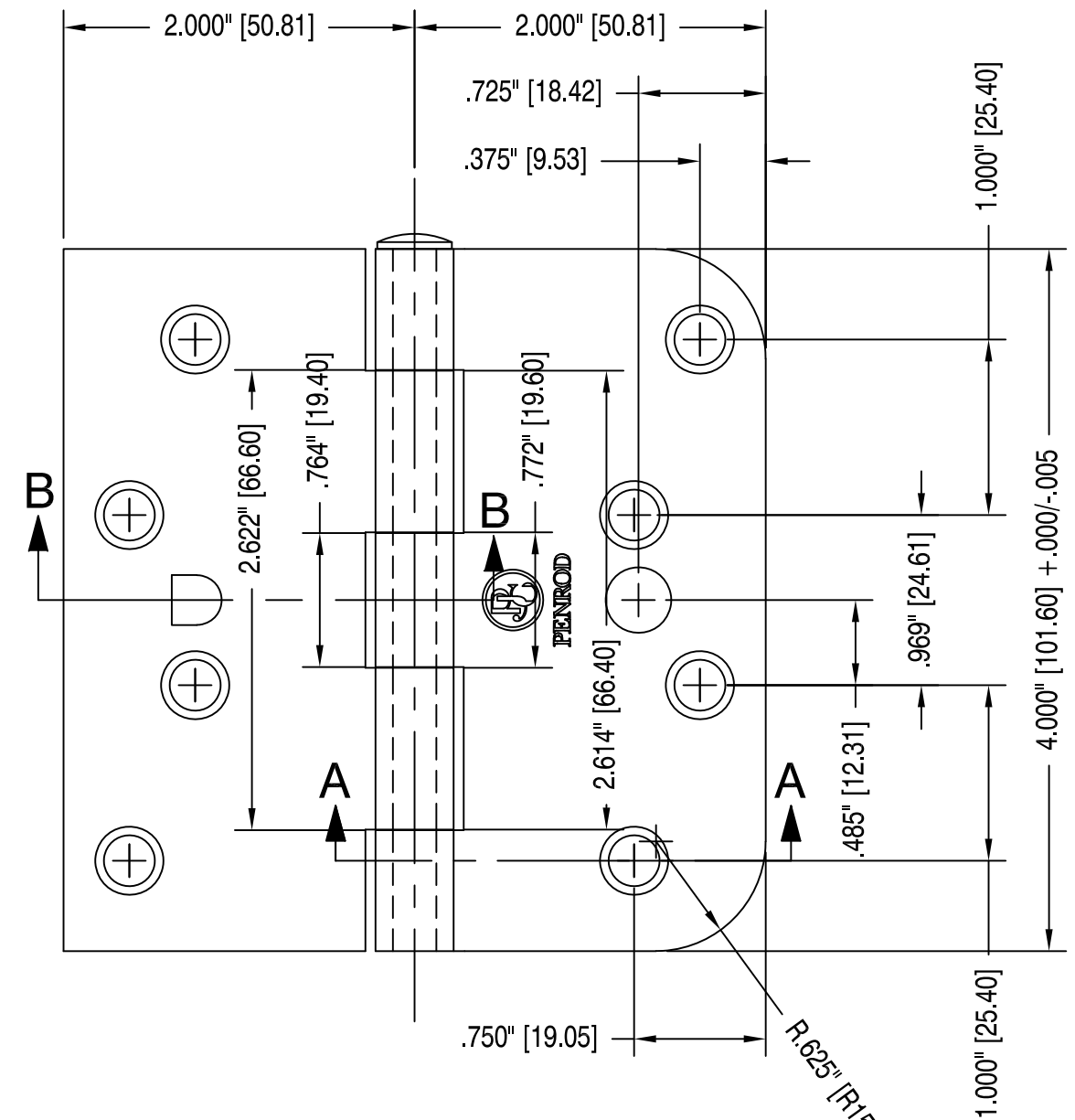
2

1

REVISIONS					
REV	DESCRIPTION	ECR	DRN BY	DATE	CHK
-	INITIAL RELEASE	XXX	JMR	12/2/24	XXX

B

A



PIN (7mm)

NOTES:

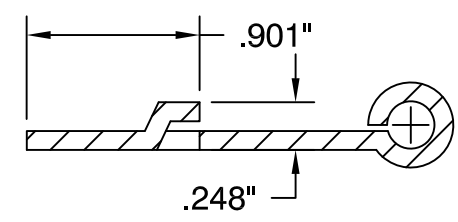
- HINGE COMPLIES WITH ANSI/BHMA A156.1.
- DIMENSION TOLERANCES ARE NOT ACCUMULATIVE.
- BRACKETED DIMENSIONS ARE IN MILLIMETERS.
- COUNTERSUNK FOR #9 SCREWS.

PACKAGING AVAILABLE:

BULK, 100 PER MASTER. SCREWS PACKAGED SEPARATELY  
 BOXED, 2 PIECES PER INNER W/ (12) #9 x 3/4" SCREWS, 50 INNERS PER MASTER

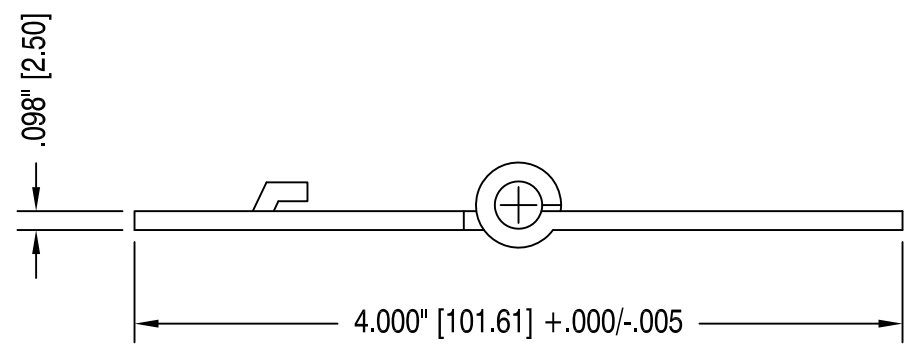
ASSEMBLY:

ASSEMBLED

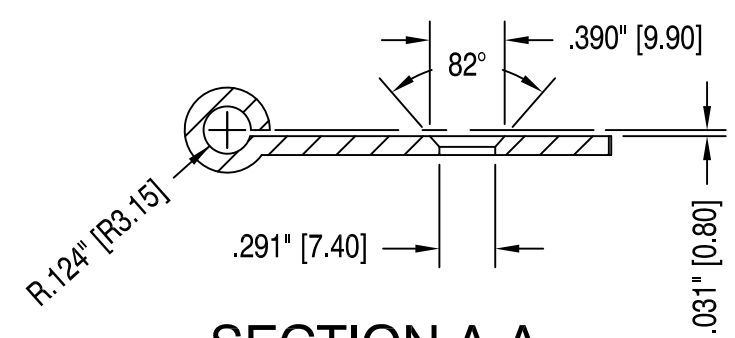


SECTION B-B

A



TOP VIEW - ASSEMBLED



SECTION A-A

**PENROD**  
 thepenrodcompany.com

DRW: J. ROONEY  
 CHK: YONG ZOU  
 APV: BRIAN POWERS

TOLERANCES UNLESS OTHERWISE SPECIFIED	NOTICE THE USE OF PROPRIETARY INFORMATION CONTAINED HEREON OR REPRODUCTION OF SAME SHALL BE UNDERSTOOD AND AGREED TO BE FOR THE CONVENIENCE OF REFERENCE ONLY. IT SHALL BE FURTHER AGREED THAT THE PATENT RIGHTS AND/OR IMPROVEMENTS CANNOT BE CONSTRUED AS TRANSFERRED OR CONVEYED UNLESS AGREED TO IN WRITING BY A DULY AUTHORIZED OFFICER OF THE PENROD COMPANY.			
	DECIMAL .XX = +/- .03 .XXX = +/- .005	TITLE: 4.0" x 4.0" 5/8" R. x SQ. CORNER ASSEMBLED L.H. SAFETY STUD MASONITE HOLE PREP		
FRACTION +/- 1/64	SIZE B	INDEX NO. 1	DWG NO. 4040014	REV -
ANGLE +/- 1°	SCALE: FULL	DATE: 12/2/24	SHEET 1 OF 1	

4

3

2

1