

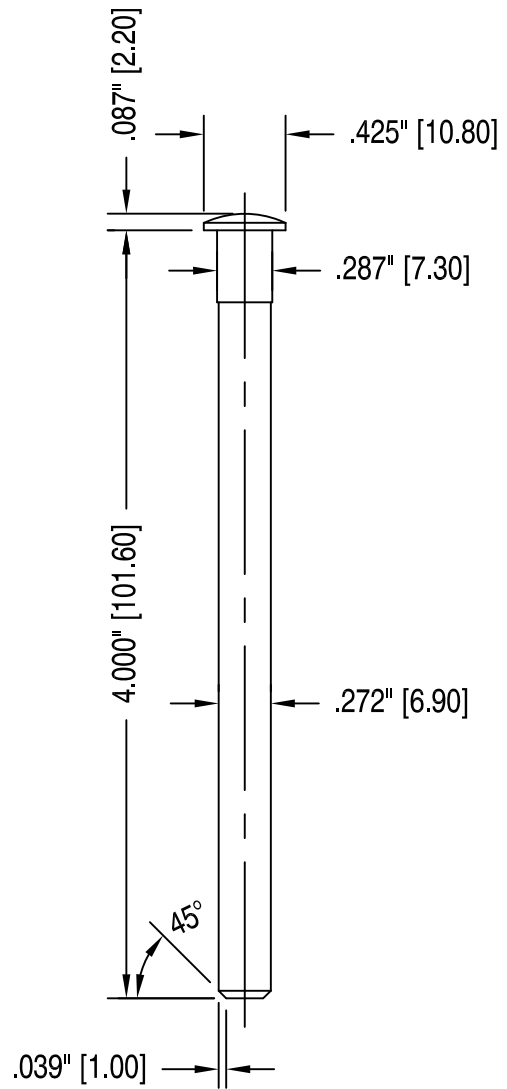
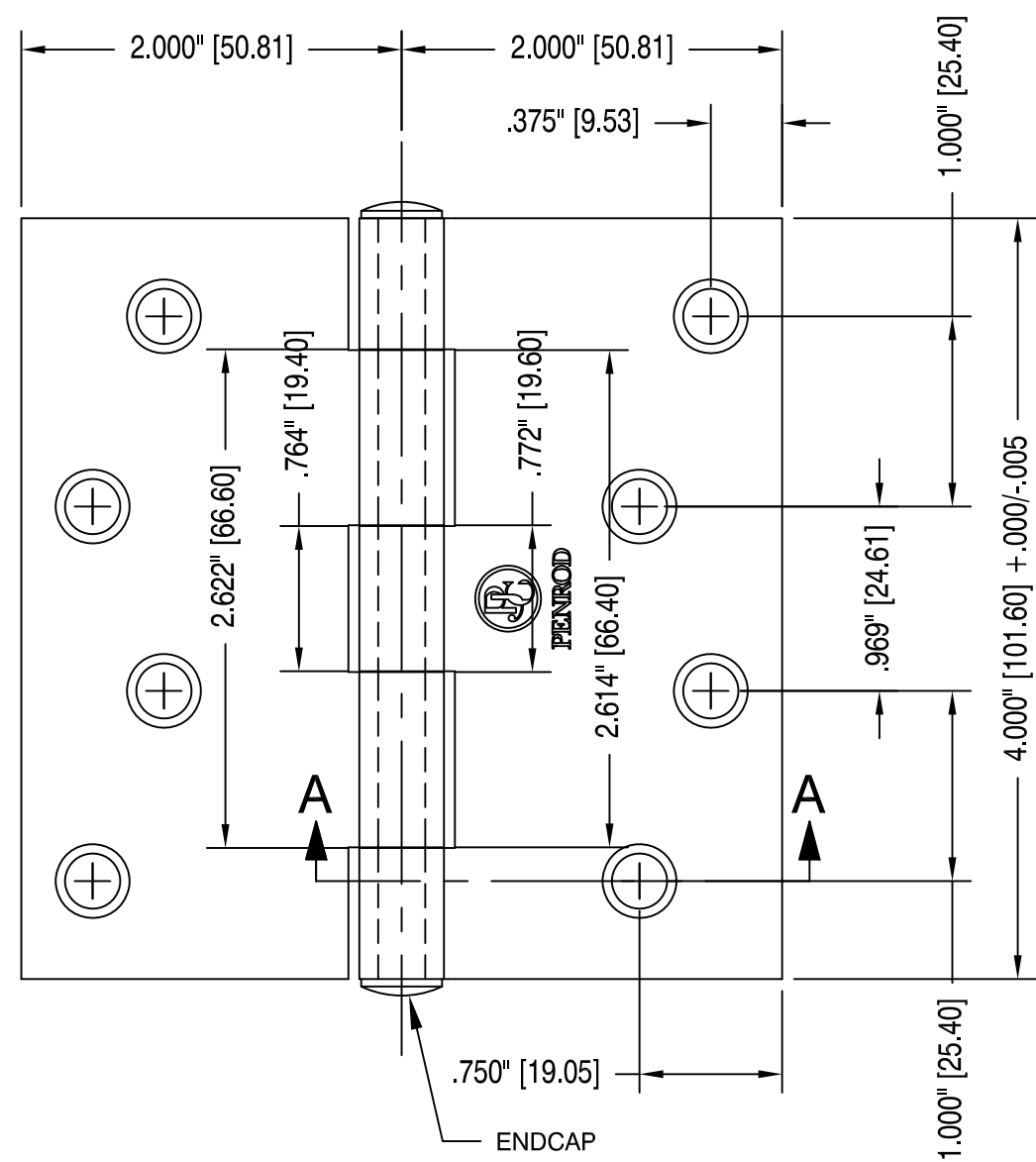
4

3

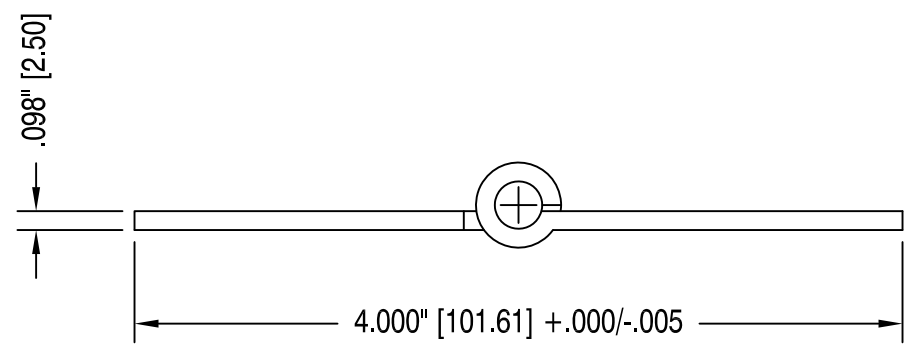
2

1

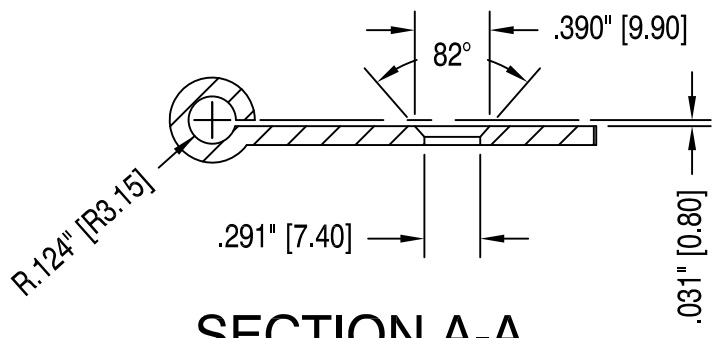
REVISIONS					
REV	DESCRIPTION	ECR	DRN BY	DATE	CHK
-	INITIAL RELEASE	XXX	JMR	12/2/24	XXX



PIN (7mm)



TOP VIEW - ASSEMBLED



SECTION A-A

NOTES:

- HINGE COMPLIES WITH ANSI/BHMA A156.1.
- DIMENSION TOLERANCES ARE NOT ACCUMULATIVE.
- BRACKETED DIMENSIONS ARE IN MILLIMETERS.
- COUNTERSUNK FOR #9 SCREWS.

PACKAGING AVAILABLE:

BULK, 100 PER MASTER. SCREWS PACKAGED SEPARATELY
 BOXED, 2 PIECES PER INNER W/ (12) #9 x 3/4" SCREWS, 50 INNERS PER MASTER

ASSEMBLY:

ASSEMBLED

PENROD
 thepenrodcompany.com

DRW: J. ROONEY
 CHK: YONG ZOU
 APV: BRIAN POWERS

NOTICE
 THE USE OF PROPRIETARY INFORMATION CONTAINED HEREON OR REPRODUCTION OF SAME SHALL BE UNDERSTOOD AND AGREED TO BE FOR THE CONVENIENCE OF REFERENCE ONLY. IT SHALL BE FURTHER AGREED THAT THE PATENT RIGHTS AND/OR IMPROVEMENTS CANNOT BE CONSTRUED AS TRANSFERRED OR CONVEYED UNLESS AGREED TO IN WRITING BY A DULY AUTHORIZED OFFICER OF THE PENROD COMPANY.

TOLERANCES UNLESS OTHERWISE SPECIFIED

DECIMAL .XX = +/- .03
 .XXX = +/- .005

FRACTION +/- 1/64

ANGLE +/- 1°

TITLE: 4.0" x 4.0" SQUARE CORNER ASSEMBLED END CAP MASONITE HOLE PREP

SIZE	INDEX NO.	DWG NO.	REV
B		4040011	-

SCALE: FULL DATE: 12/2/24 SHEET 1 OF 1