

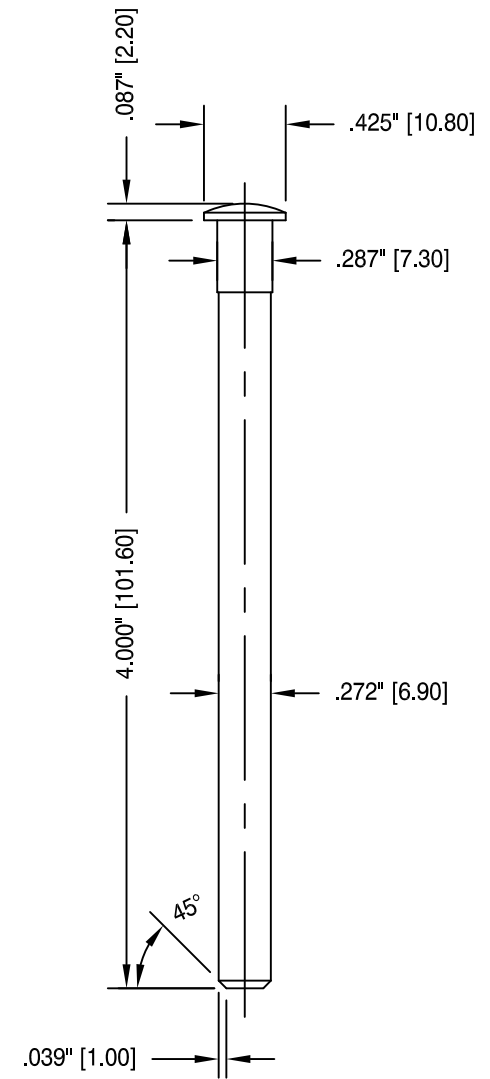
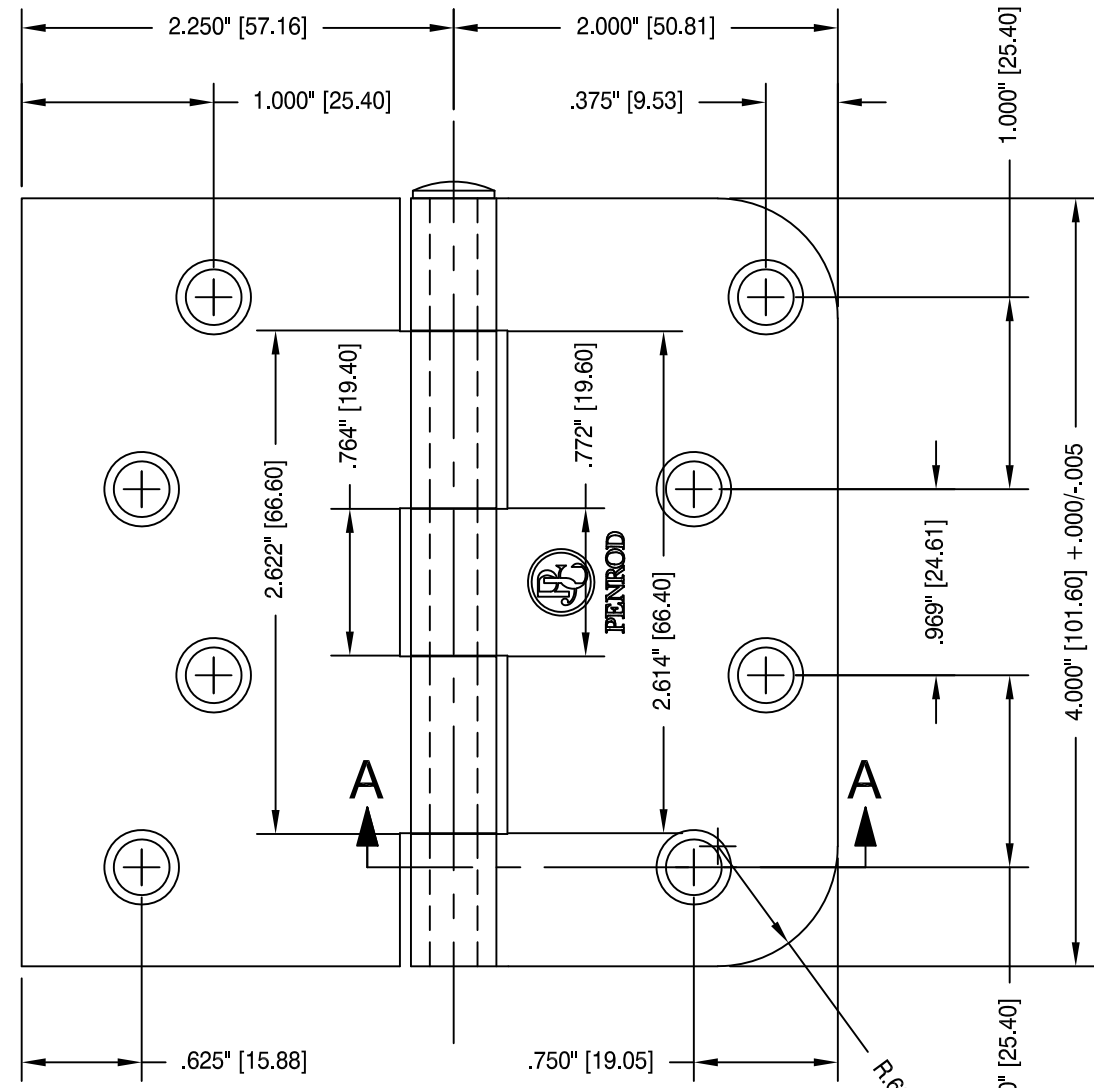
4

3

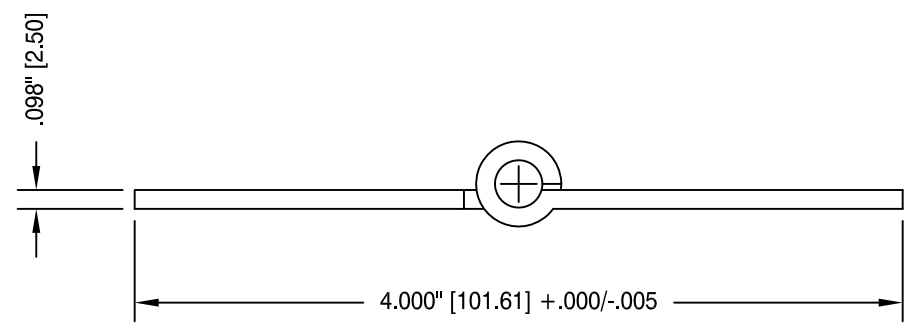
2

1

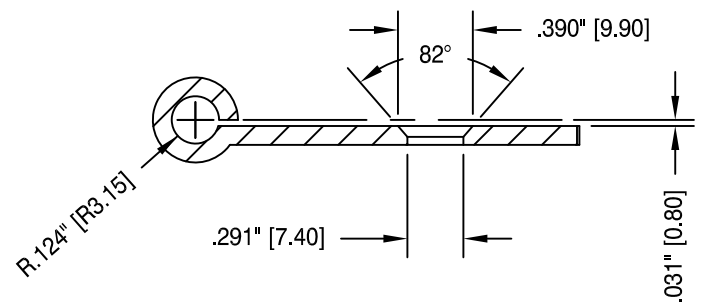
REVISIONS					
REV	DESCRIPTION	ECR	DRN BY	DATE	CHK
-	INITIAL RELEASE	XXX	JMR	12/9/24	XXX



PIN (7mm)



TOP VIEW - ASSEMBLED



SECTION A-A

NOTES:


- HINGE COMPLIES WITH ANSI/BHMA A156.1.
- DIMENSION TOLERANCES ARE NOT ACCUMULATIVE.
- BRACKETED DIMENSIONS ARE IN MILLIMETERS.
- COUNTERSUNK FOR #9 SCREWS.

PACKAGING AVAILABLE:

BULK, 100 PER MASTER. SCREWS PACKAGED SEPARATELY
 BOXED, 2 PIECES PER INNER W/ (12) #9 x 3/4" SCREWS, 50 INNERS PER MASTER

ASSEMBLY:

ASSEMBLED

 PENROD thepenrodcompany.com	DRW: J. ROONEY
	CHK: YONG ZOU
	APV: BRIAN POWERS

TOLERANCES UNLESS OTHERWISE SPECIFIED DECIMAL .XX = +/- .03 .XXX = +/- .005 FRACTION +/- 1/64 ANGLE +/- 1°	NOTICE THE USE OF PROPRIETARY INFORMATION CONTAINED HEREON OR REPRODUCTION OF SAME SHALL BE UNDERSTOOD AND AGREED TO BE FOR THE CONVENIENCE OF REFERENCE ONLY. IT SHALL BE FURTHER AGREED THAT THE PATENT RIGHTS AND/OR IMPROVEMENTS CANNOT BE CONSTRUED AS TRANSFERRED OR CONVEYED UNLESS AGREED TO IN WRITING BY A DULY AUTHORIZED OFFICER OF THE PENROD COMPANY.		
	TITLE: 4.0" x 4.25" 5/8" RADIUS x SQUARE CORNER ASSEMBLED LEFT HANDED MASONITE HOLE PREP		
SIZE B	INDEX NO. 1	DWG NO. 4040020	REV -
SCALE: FULL	DATE: 12/9/24	SHEET 1 OF 1	