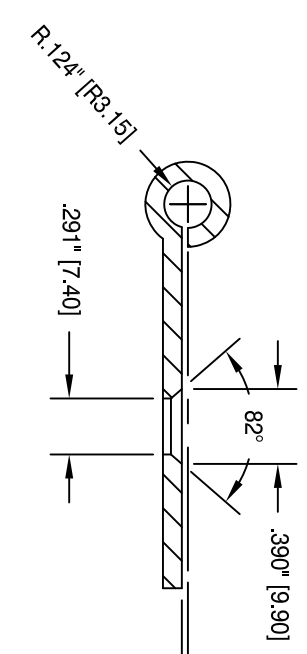
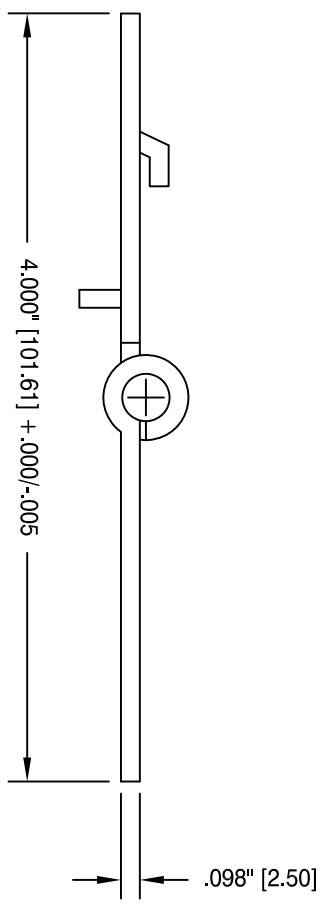
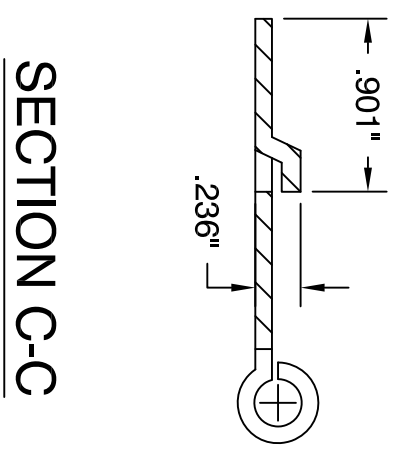
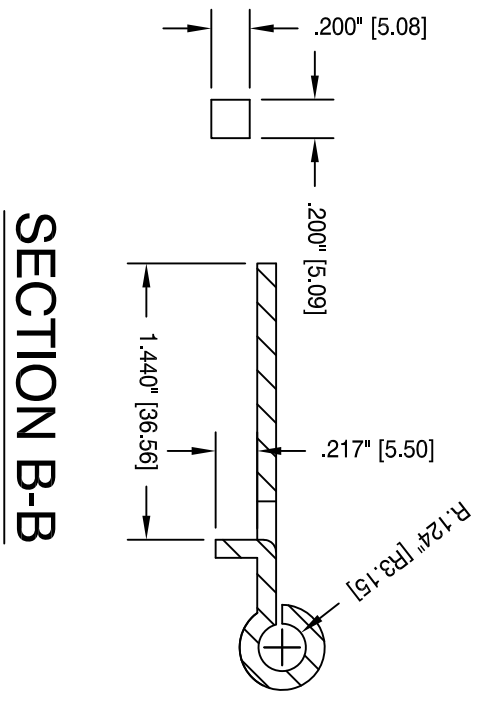
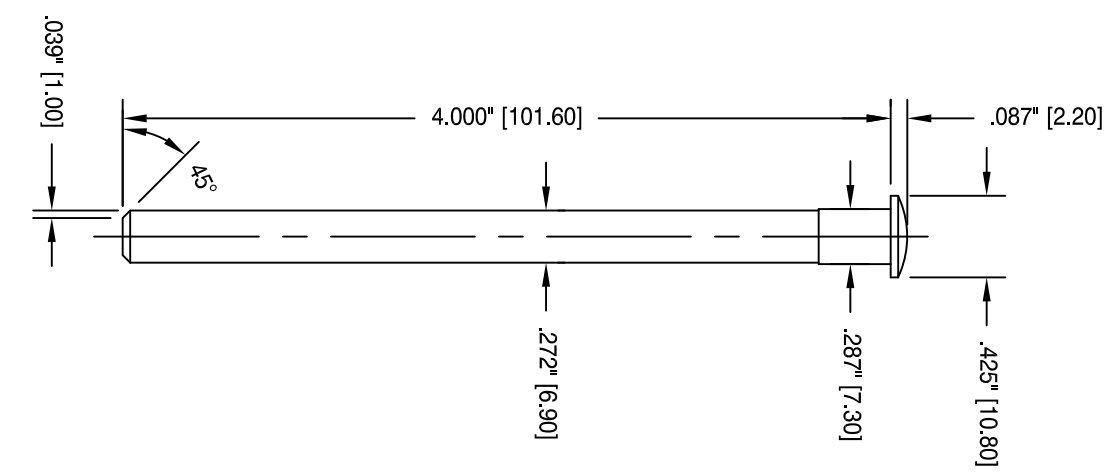
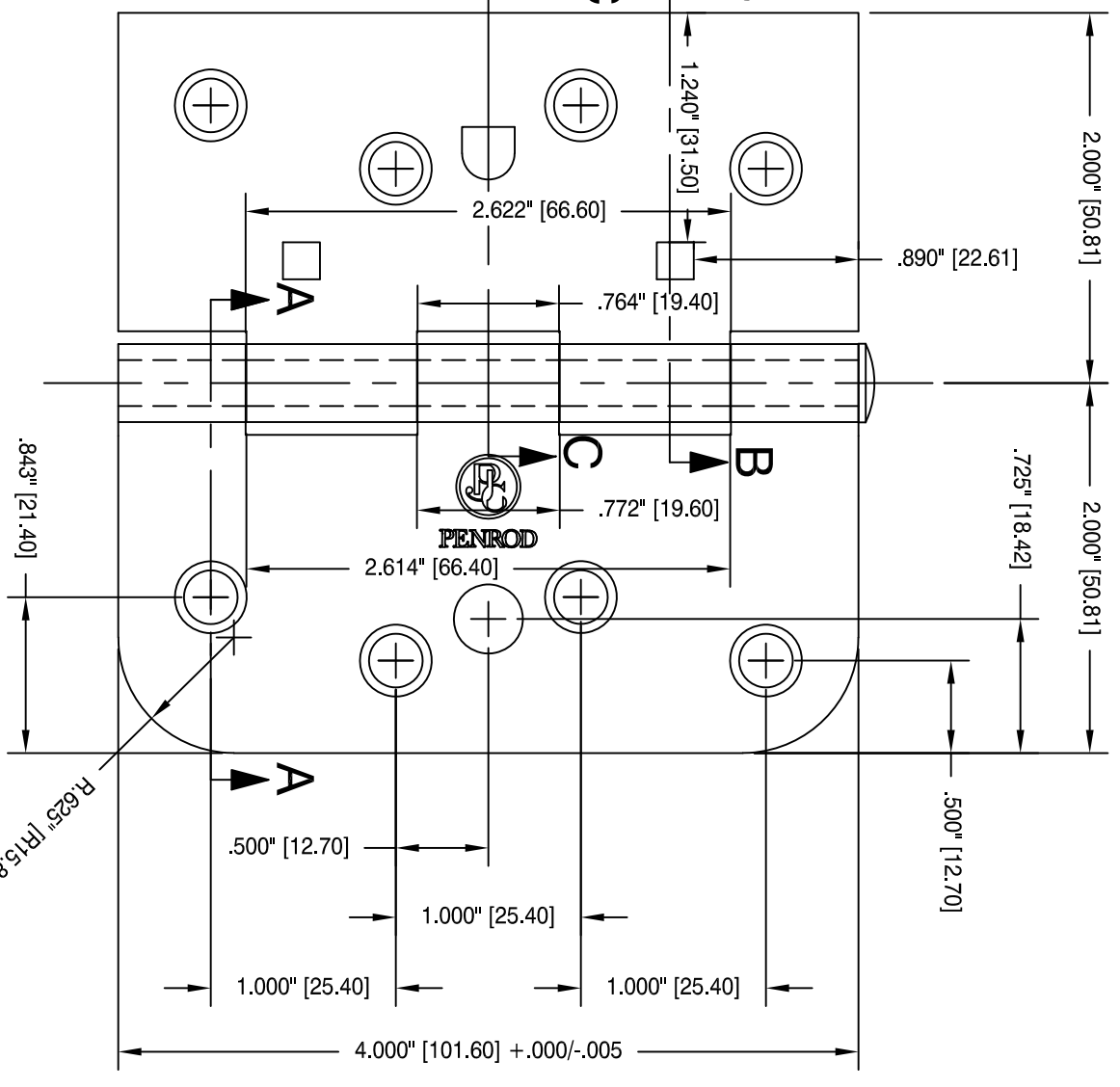


REVISIONS					
REV	DESCRIPTION	ECR	DRN BY	DATE	CHK
-	INITIAL RELEASE	XXX	JMR	1/20/25	XXX

- NOTES:**
- HINGE COMPLIES WITH ANSI/BHMA A156.1.
 - DIMENSION TOLERANCES ARE NOT ACCUMULATIVE.
 - BRACKETED DIMENSIONS ARE IN MILLIMETERS.
 - COUNTERSUNK FOR #9 SCREWS.

PACKAGING AVAILABLE:
 BULK, 100 PER MASTER. SCREWS PACKAGED SEPARATELY
 BOXED, 2 PIECES PER INNER W/ (12) #9 X 3/4" SCREWS, 50 INNERS PER MASTER

ASSEMBLY:
 ASSEMBLED




TOP VIEW - ASSEMBLED

SECTION A-A

PIN (7mm)

SECTION B-B

SECTION C-C

		DRW:	J. ROONEY
		CHK:	YONG ZOU
thepenrodcompany.com APV: BRIAN POWERS		DATE:	1-20-25
NOTICE THE USE OF PROPRIETARY INFORMATION CONTAINED HEREON OR REPRODUCTION OF SAME SHALL BE UNDERSTOOD AND AGREED TO BE FOR THE CONVENIENCE OF REFERENCE ONLY. IT SHALL BE FURTHER AGREED THAT THE PATENT RIGHTS AND/OR IMPROVEMENTS CANNOT BE CONSIDERED AS TRANSFERRED OR CONVEYED UNLESS AGREED TO IN WRITING BY A DULY AUTHORIZED OFFICER OF THE PENROD COMPANY.		SHEET	1 OF 1
DECIMAL .XX = +/- .03 .XXX = +/- .005 FRACTION +/- 1/64 ANGLE +/- 1°	4.0" x 4.0" x 5/8" RADIUS X SQUARE CORNER SELF ALIGNING W LOCATOR TAB UNASSEMBLED BULK PACKED THERMA TRU PREP	SCALE:	FULL
SIZE INDEX NO. B DWG NO. 4040034	REV		