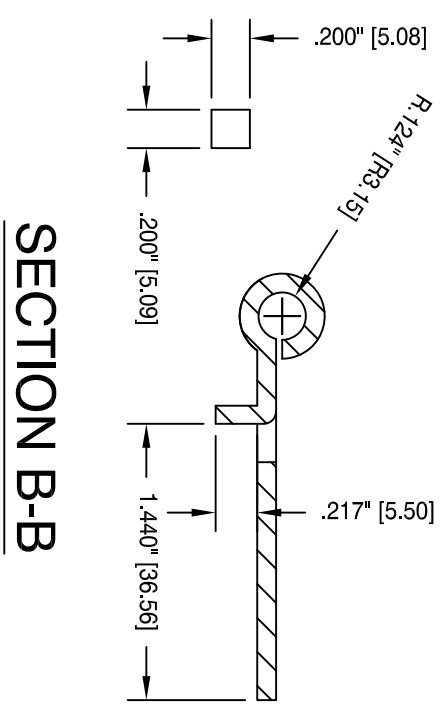
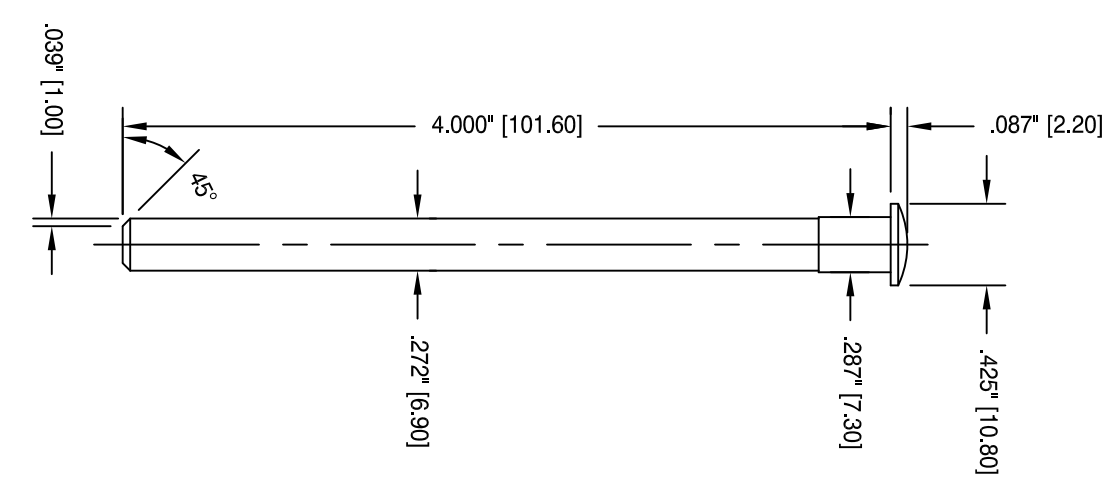
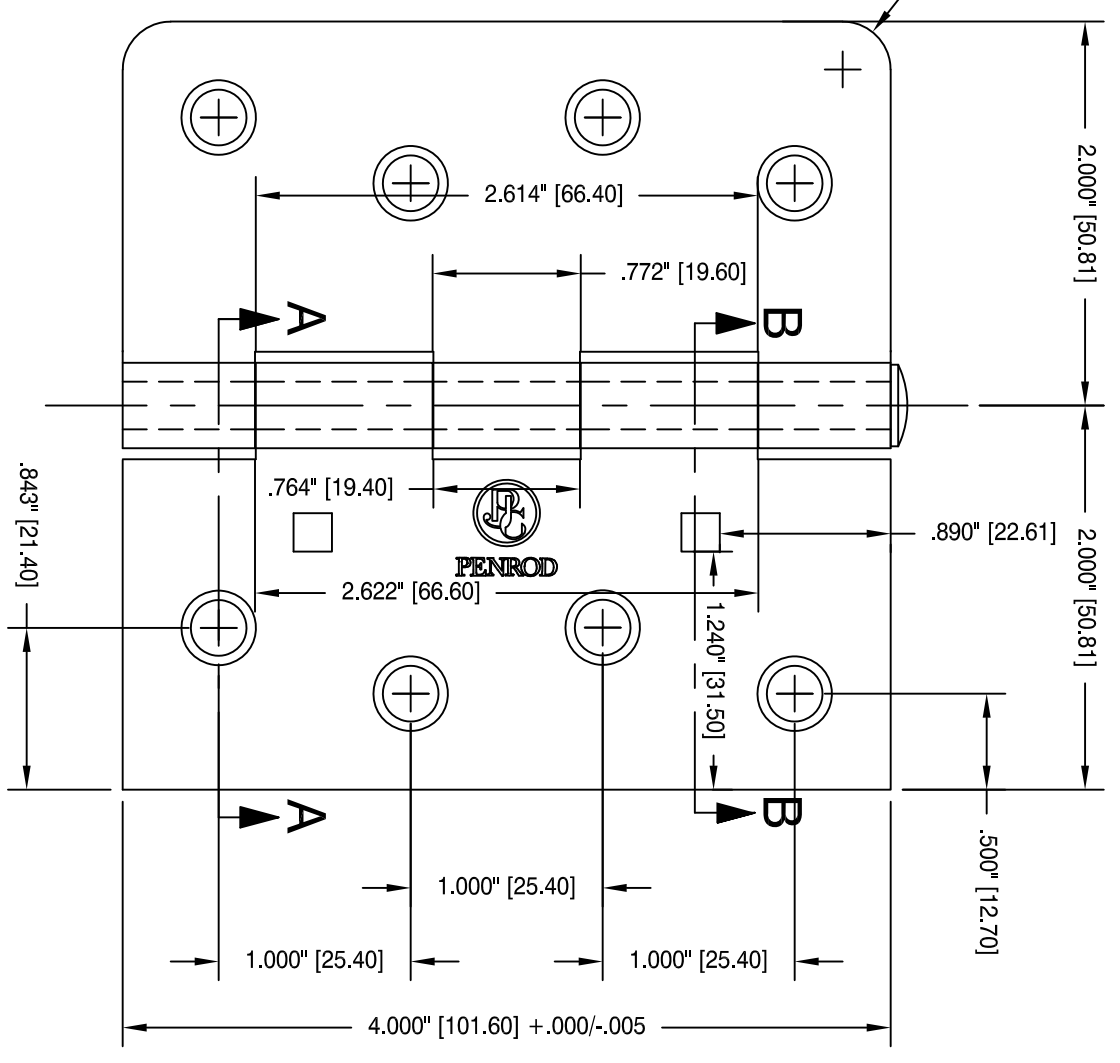


REVISIONS					
REV	DESCRIPTION	ECR	DRN BY	DATE	CHK
-	INITIAL RELEASE	XXX	JMR	1/20/25	XXX

- NOTES:**
- HINGE COMPLEIES WITH ANSI/BHMA A156.1.
 - DIMENSION TOLERANCES ARE NOT ACCUMULATIVE.
 - BRACKETED DIMENSIONS ARE IN MILLIMETERS.
 - COUNTERSUNK FOR #9 SCREWS.

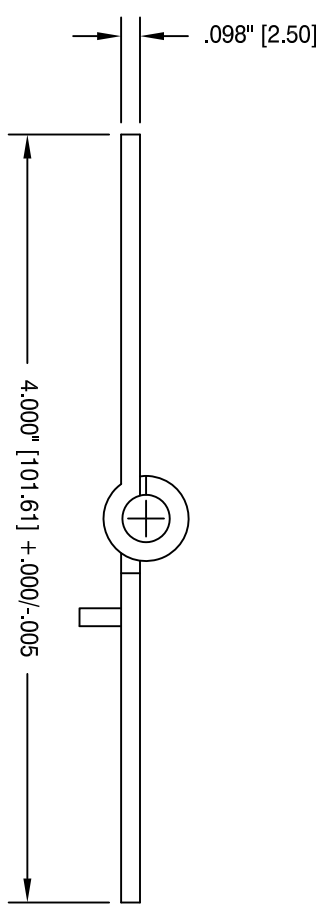
PACKAGING AVAILABLE:
 BULK, 100 PER MASTER. SCREWS PACKAGED SEPARATELY
 BOXED, 2 PIECES PER INNER W/ (12) #9 X 3/4" SCREWS, 50 INNERS PER MASTER

ASSEMBLY:
 ASSEMBLED

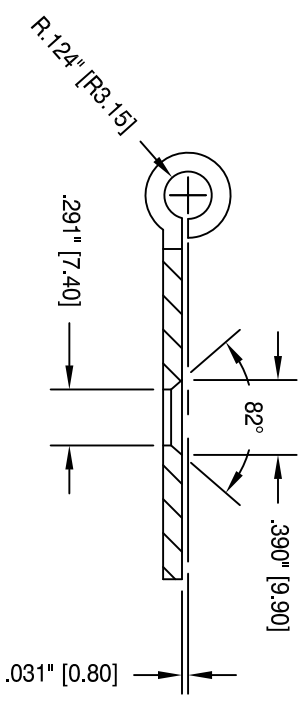


PIN (7mm)


SECTION B-B



TOP VIEW - ASSEMBLED



SECTION A-A

 PENROD thepenrodcompany.com		DRW:	J. ROONEY
		CHK:	YONG ZOU
NOTICE THE USE OF PROPRIETARY INFORMATION CONTAINED HEREON OR REPRODUCTION OF SAME SHALL BE UNDERSTOOD AND AGREED TO BE FOR THE CONVENIENCE OF REFERENCE ONLY. IT SHALL BE FURTHER AGREED THAT THE PATENT RIGHTS AND/OR IMPROVEMENTS CANNOT BE CONSIDERED AS TRANSFERRED OR CONVEYED UNLESS AGREED TO IN WRITING BY A DULY AUTHORIZED OFFICER OF THE PENROD COMPANY.		APV:	BRIAN POWERS
		TOLERANCES UNLESS OTHERWISE SPECIFIED DECIMAL .XX = +/- .03 .XXX = +/- .005 FRACTION +/- 1/64 ANGLE +/- 1°	SIZE INDEX NO. 1 DWG NO. 4040033 THERMA TRU PREP
SCALE: FULL	DATE: 1-20-25	SHEET	1 OF 1